

# Feedthrough Pressure Seal



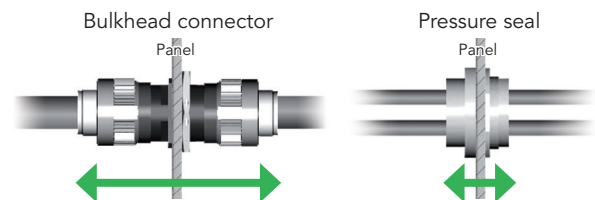
## Pressure Resistant Cable Feedthrough

Secured cable routing pressure resistant feedthrough thanks to a special design. Ideal for separating pressure environments for aircrafts applications.

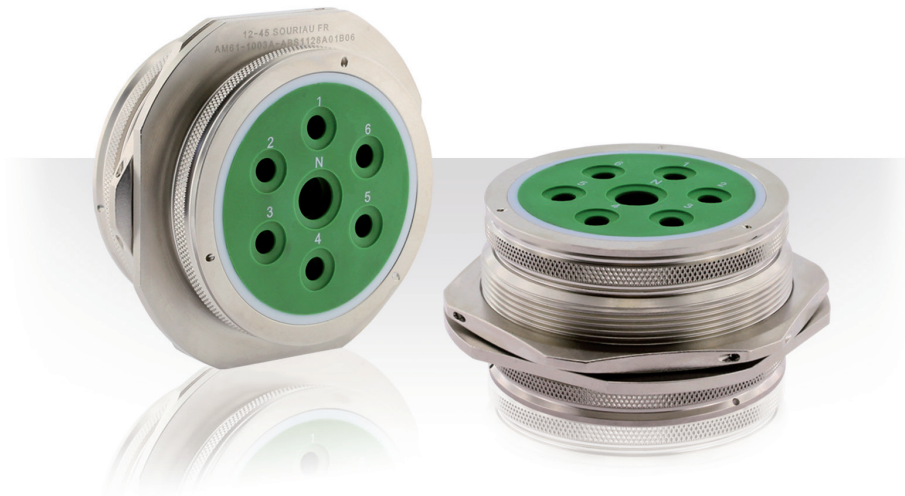
**6 layouts available** ■ 2 shell sizes.  
Nickel plated.

**Excellent vibration withstanding** ■ Avoid cable movement under vibrations.

**Space saving** ■ Comparison with bulkhead connectors:



**Flexibility** ■ Usable on panel thickness from 1.0 to 13.0 mm.



## Description

- Cable routing pressure resistant feedthrough
- All version ABS (Airbus) Qualified
- Avoid cable movement under vibrations
- Available in 6, 7 & 9 ways with various cables sizes
- Two shell sizes available (code 01 & 02)
- Jam nut version only

## Technical features

### Mechanical

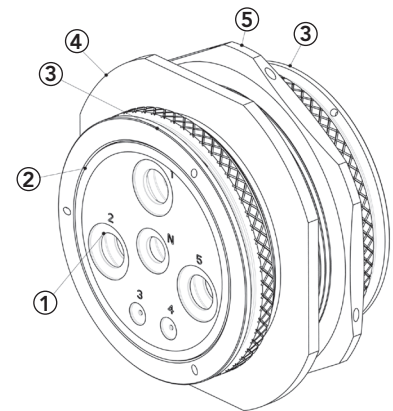
- **Shell:**  
Aluminium alloy  
Nickel plated
- **Jam nut:**  
Aluminium alloy  
Nickel plated
- **Backshell nut:**  
Aluminium alloy  
Nickel plated
- **Insert:**  
Thermoplastic
- **Cable seal:**  
Silicone
- **O'ring:**  
Fluorosilicone
- **Compression ring:**  
PTFE or Thermoplastic

### Climatics

- **Operating temperature range:**  
-55°C to +200°C

### Conformity

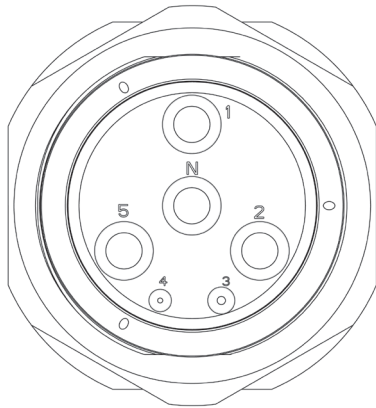
- **In accordance with:**  
ABS1128  
EN3909



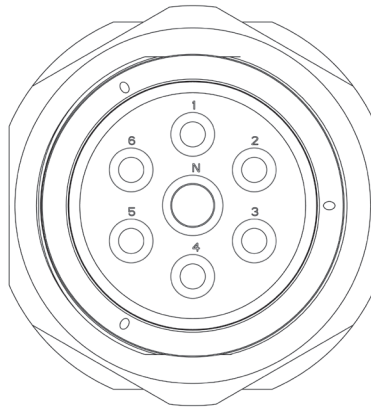
	Description	Quantity
①	Cable Seal	2
②	Compression ring	2
③	Backshell nut	2
④	Body / Shell	1
⑤	Jam nut	1

## Layouts

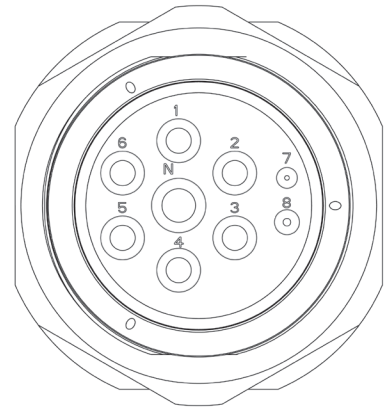
### Shell size code 01 (largest size)



**AM61-1010A**  
6 ways

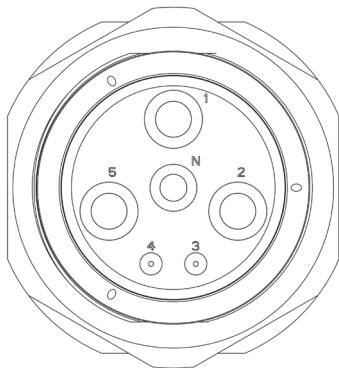


**AM61-1003A**  
7 ways

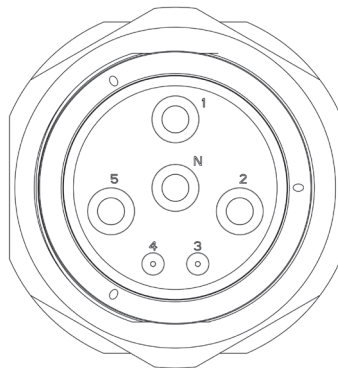


**AM61-1001A**  
9 ways

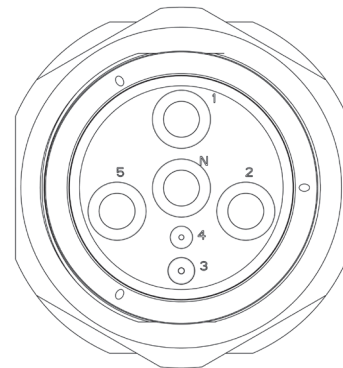
### Shell size code 02 (smallest size)



**AM61-1002A**  
6 ways



**AM61-1005A**  
6 ways



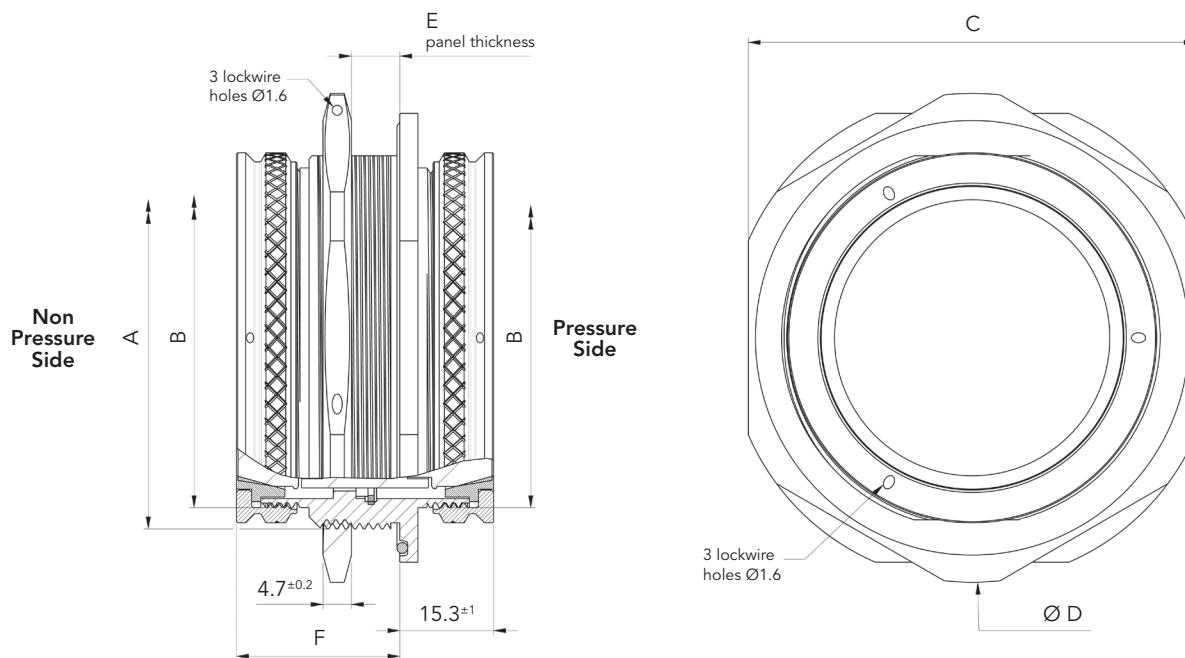
**AM61-1007A**  
6 ways

## Weight

Layout	Shell size code 01			Shell size code 02		
	AM61-1010A	AM61-1003A	AM61-1001A	AM61-1002A	AM61-1005A	AM61-1007A
Maximum weight in gram	325	270	270	270	240	235

## Dimensions

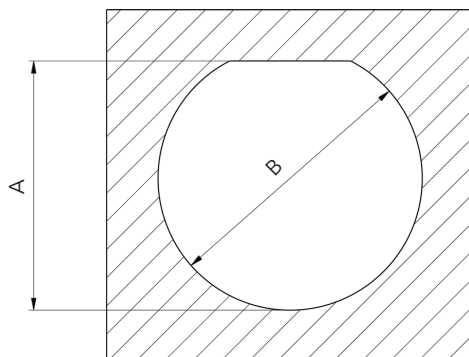
### Shell size code 01 & 02



Shell size	A	B	C	Ø D
Code 01	M72x1.5 Tightening torque 50 N.m	M65x1.5 Tightening torque 40 N.m	82 ±0.1	89.6 ±0.4
Code 02	M63x1.5 Tightening torque 40 N.m	M56x1.5 Tightening torque 35 N.m	74 ±0.1	80.6 ±0.4

Layouts	E	F
All Layouts except AM61-1010A	1 to 10 mm	27 ±1
AM61-1010A	1 to 13 mm	32 ±1

### Panel cut-out



Shell size	A <sup>+0.3</sup> / <sub>0</sub>	B <sup>+0.3</sup> / <sub>0</sub>
Code 01	69.60	72.10
Code 02	62.40	63.80

Shell size code 01 as per **NSA937801 - 144**  
 Shell size code 02 as per **NSA937801 - 137**

Note: All dimensions are in millimeters (mm)

## Cables information

SOURIAU Part Number	Airbus ABS Part Number	Shell size code	Ways	Layout	Cavity name	Cable Ø (mm)	Recommended cable			
AM61-1002A	ABS1128A02B07	Code 02 smallest size	6		N	7.50 to 8.40	EN4681 - 005A280			
					1, 2, 5	9.30 to 10.20	EN4681 - 005A420			
					3	4.00 max	EN2714 - 013C010F			
					4	3.71 max	EN2714 - 013B010F			
AM61-1005A	-		Code 02 smallest size	6		N, 1, 2, 5	7.28 to 7.74	ABS0949AD3		
						3	4.00 max	EN2714 - 013C010F		
						4	3.71 max	EN2714 - 013B010F		
AM61-1007A	ABS1128A02B08			Code 02 smallest size	6		N	8.94 to 9.50	ABS0949AD1	
							1, 2, 5	9.30 to 10.20	EN4681 - 005A420	
							3	4.73 max	EN2714 - 013C012F	
							4	3.71 max	EN2714 - 013B010F	
AM61-1010A	ABS1128B01B10				Code 01 largest size	6		N	8.07 to 9.50	ABS0949AD2 and ABS0949AD1
		1, 2, 5						9.30 to 10.20	EN4681 - 005A420	
		3						4.73 max	EN2714 - 013C012F	
		4						3.71 max	EN2714 - 013B010F	
AM61-1003A	ABS1128A01B06	Code 01 largest size				7		N	11.65 to 12.37	ABS0949AD0
			1, 2, 3, 4, 5, 6					7.20 to 8.50	ABS0949AD3 or EN4681 - 005A280	
AM61-1001A	ABS1128A01B05		Code 01 largest size			9		N	8.94 to 9.50	ABS0949AD1
								1, 2, 3, 4, 5, 6	7.50 to 8.40	EN4681 - 005A280
				7				3.71 max	EN2714 - 013B010F	
				8				4.73 max	EN2714 - 013C012F	

For further information visit our web site [www.souriau.com](http://www.souriau.com)  
and contact us at [technical.emear@souriau.com](mailto:technical.emear@souriau.com) (Europe - Asia - Africa)  
or [technical.americas@souriau.com](mailto:technical.americas@souriau.com) (North America)